

Solid Surface Cell Desk

CSL0556

Purpose

A robust solid surface cell desk suitable for use in high security cells.

Specification

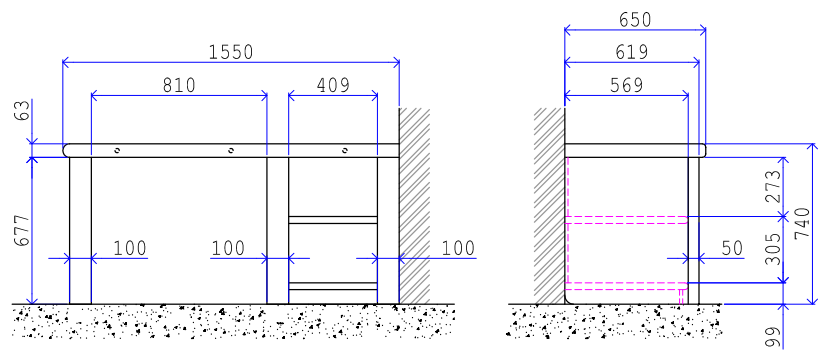
- Desk constructed from marine birch ply with all faces and edges laminated with 12mm thick Corian solid service material.
- Desk incorporates two shelves.
- Secured to floor and wall with concealed heavy duty expansion bolts.
- Available left or right handed (left hand shown).

Finish

- Fabricated solid surface Corian.

Options

- Various Corian colour options available.



Picnic Table

CSL0557

Purpose

A robust 6 person picnic table suitable for use in a prison dining and association areas.

Specification

- Seats and table top constructed from pressed 3mm thick grade 304 stainless steel.
- Underframe supports constructed pressed 3mm thick mild steel.
- Assembled on site with tamper proof bolts.
- Secured to the floor with heavy duty expansion bolts.

Finish

- Seats and table top satin stainless steel brushed finish.
- Underframe supports polyester paint Oyster Grey.

Options

- Underframe supports can be provided in stainless steel.
- Other polyester paint colours available.

