

## CSL0558

## 4 Person Dining Table

**Purpose**

A robust 4 person dining table suitable for use in a prison dining and association areas.

**Specification**

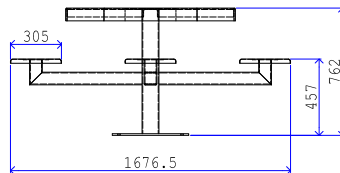
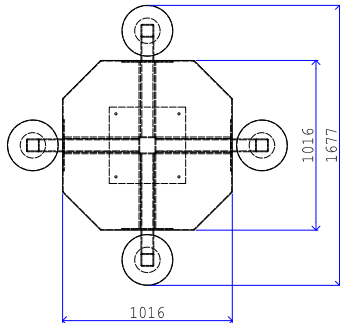
- Seats and table top constructed from pressed 3mm thick grade 304 stainless steel.
- Welded underframe supports constructed from steel rolled hollow sections.
- Assembled on site with tamper proof bolts.
- Secured to the floor with heavy duty expansion bolts.

**Finish**

- Seats and table top satin stainless steel brushed finish.
- Underframe supports polyester paint Oyster Grey.

**Options**

- Underframe supports can be provided in stainless steel.
- Other polyester paint colours available.



## CSL0559

## 6 Person Dining Table

**Purpose**

A robust 6 person dining table suitable for use in a prison dining and association areas.

**Specification**

- Seats and table top constructed from pressed 3mm thick grade 304 stainless steel.
- Welded underframe supports constructed from steel rolled hollow sections.
- Assembled on site with tamper proof bolts.
- Secured to the floor with heavy duty expansion bolts.

**Finish**

- Seats and table top satin stainless steel brushed finish.
- Underframe supports polyester paint Oyster Grey.

**Options**

- Underframe supports can be provided in stainless steel.
- Other polyester paint colours available.

