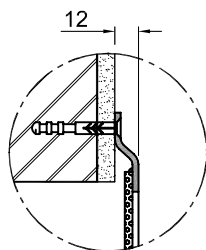
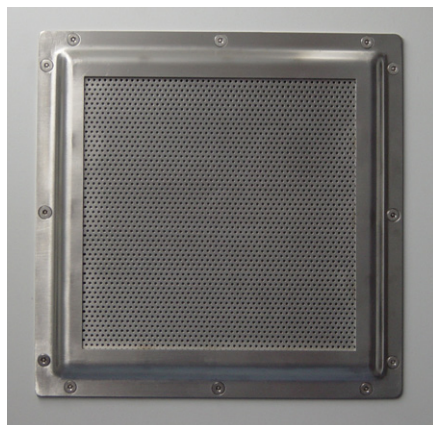
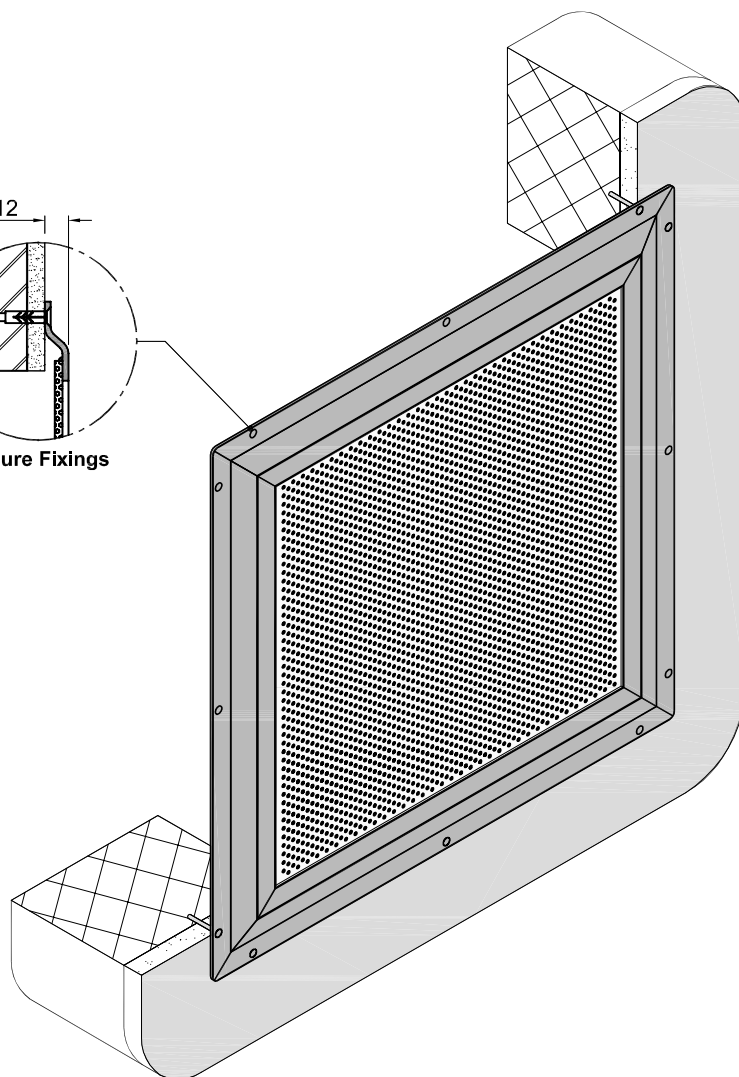


## CSL0701



Secure Fixings

**Specification**

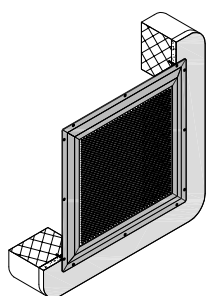
- Constructed from 4mm thick grade 304 perforated stainless steel sheet welded within a 3mm thick zed section stainless steel frame with the corners of the frame rounded to reduce potential for ligature attachment, the grille is designed for surface mounting directly on top of masonry, render or tiling using tamper resistant screws.
- The grilles offer a minimum of 18% free area for ventilation with the perforations to Home Office agreed dimensions to reduce ligature opportunities and restrict the passage of contraband.
- 2mm diameter holes at 4mm staggered pitch.
- Many sizes available from stock.

**Finish**

- Satin finish stainless steel.

**Options**

- Almost any size available.
- Available in grade 316 stainless steel.
- Polyester powder coated.



CSL0701