

3K70 Upright 2-Bolt Mortice Lock

CSL1432

Purpose

To provide secure locking (with latching facility) of hinged wooden doors on offices and rooms where master keying, and/or, suiting with other mortice range locks is also required.

Overview

Mortice lock with formed-up case, welded-on forend, and flat cap screwed to pillars in case. Upright construction with follower for handle vertically above keyhole.

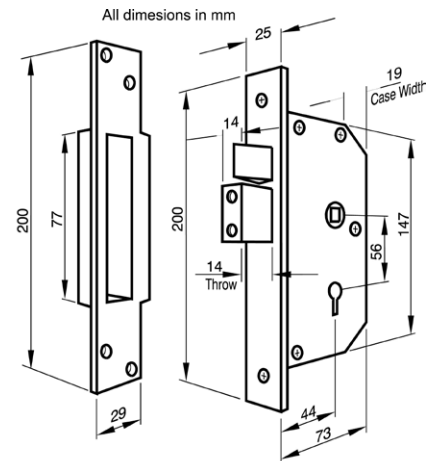
Deadbolt operable by key only from either side (full turn to lock or unlock). Latch bolt released by handle only from either side, but will re-engage, without the use of the handle, under light door closing force.

Specification

- Steel Body.
- Brass deadbolt with 14mm bolt throw.
- Anti-padsaw steel rollers.
- Latch Bolt.
- 5 detainer mechanism with thousands of key combinations.
- Built in protection against picking, drilling, force and torque attack.
- Steel key.
- Can be suited as part of a master keyed system.

Finish

- Deadbolt - Brass.
- Body - Steel.



3J60 Horizontal 2-Bolt Mortice Lock

CSL1433

Purpose

To provide secure locking, (with latching facility) of hinged wooden doors on offices and rooms where master-keying and/or, suiting with other mortice range locks is a requirement, or where a knob action with ample space (to clear rebated frame for example) is preferred.

Overview

Mortice lock with formed-up case and welded Forend. Flat cap screwed to pillars in case. Horizontal construction with follower for handle at same level as keyhole.

Deadbolt operable by key only from either side (full turn to lock or unlock). Latch released by knob/handle only from either side, but will re-engage without the use of the knob/handle, under light door closing force.

Specification

- Steel Body.
- Brass deadbolt with 14mm throw.
- Anti-padsaw steel rollers.
- 5 detainer mechanism with thousands of key combinations.
- Built in protection against picking, drilling, force and torque attack.
- Steel key.
- Can be suited as part of a master keyed system.
- Optional micro-switches for alarm systems integration.

Finish

- Deadbolt - Brass.
- Body - Steel.

