

CSL1434

3J60X Horizontal Mortice Deadbolt

**Purpose**

To provide secure locking and a high level of security where the use of a handle is not required.

Overview

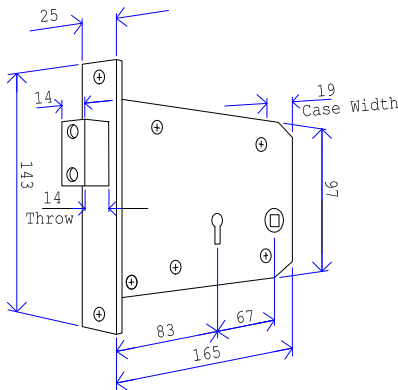
Mortice deadlock with formed-up case, welded forend and flat cap screwed to pillars in the case. Deadbolt operable by key from either side (full turn to lock or unlock).

Specification

- Unique 5 detainer locking mechanism with thousands of key combinations.
- Steel deadbolt with 14mm throw.
- Anti-padsaw steel rollers.
- Built in protection against picking, drilling, force and torque attack.
- Steel key.

Finish

- Deadbolt - Brass.
- Body - Steel.



CSL1435

3R35 Mortice Locking Latch

**Purpose**

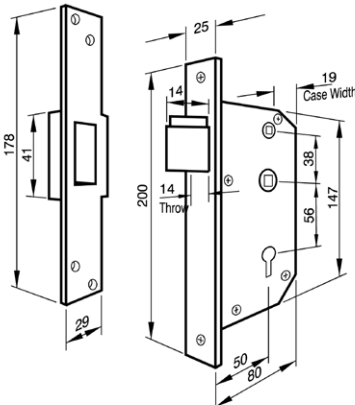
To provide a secure latch, operable by handle from one side, and by key from the other, for use on wooden doors where auto locking / latching is required.

Overview

Mortice lock with formed-up case, welded forend and flat cap screwed to pillars in the case. Upright lock with follower for handle vertically above keyhole, and snib follower vertically above that.

The lock is designed to have a handle on one side of the door only (special half-sets of furniture). In "latched only" state i.e. having just pushed door to, the bolt can be withdrawn by means of the handle (from inside) or by partial turn of the key (from either side). A full turn of the key in the locking direction effectively deadlocks the handle which can then only be released by a full turn in the opening direction. The snib (above the handle) can be used to hold the bolt in the withdrawn position.

All dimensions in mm

**Specification**

- Hardened Steel Body.
- 5 detainer mechanism with thousands of key combinations.
- Built in protection against picking, drilling, force and torque attack.
- Steel key.
- Can be suited as part of a master keyed system.
- Automatic deadlocking action.
- Snib to hold the latch back when the door needs to be kept open.

Finish

- Deadbolt - Brass.
- Body - Steel.