

Triple Prison Cell Bunk Bed

CSL0515

**Purpose**

A secure steel floor standing triple bunk bed designed specifically for use within a prison cell.

**Specification**

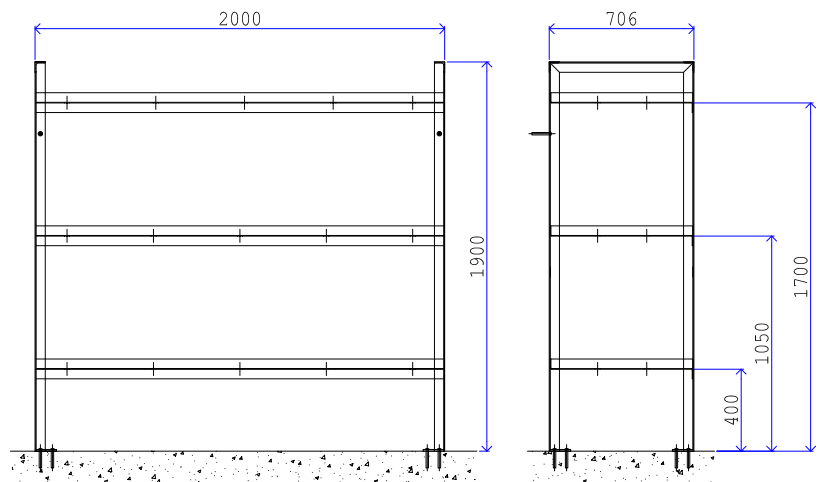
- Constructed from 50mm x 50mm x 5mm steel angle framework with a 3mm mild steel folded sheet bed tops.
- Bed ends can be used as ladders for top bunk access.
- Secured to the floor with heavy duty expansion bolts.

**Finish**

- Polyester paint Oyster Grey.

**Options**

- Other polyester paint colours available.



Cell Wardrobe

CSL0520

**Purpose**

A robust secure steel floor standing wardrobe designed specifically for use within a prison cell.

**Specification**

- Constructed from 50mm x 50mm x 6mm steel angle framework with 3mm mild steel folded sheet.
- Hinged doors with magnetic catches, welded pull handles and welded continuous hinges.
- Wardrobe incorporates two welded shelves and clothes rail.
- Doors are perforated at high and low level for ventilation.
- Secured to the floor with heavy duty expansion bolts.

**Finish**

- Polyester paint Oyster Grey.

**Options**

- Other polyester paint colours available.

