

CSL0532

Single Steel Waiting Chair

**Purpose**

A robust steel chair suitable for waiting areas or interview rooms.

Specification

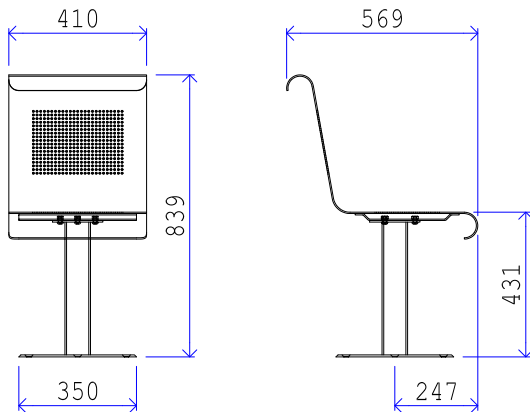
- Seat constructed from perforated 3mm thick mild steel.
- Chair base secured to the floor via heavy duty expansion bolts.

Finish

- Black and silver polyester paint.

Options

- Other colours available upon request.



CSL0533

Multiple Steel Waiting Chairs

**Purpose**

A robust row of three steel chairs suitable for waiting areas.

Specification

- Seat constructed from perforated 3mm thick mild steel.
- Chair bases secured to the floor via heavy duty expansion bolts.

Finish

- Black and silver polyester paint.

Options

- Other colours available upon request.
- Other seat multiples can be provided in a single unit.

