

## CSL0536

## Steel Stool

**Purpose**

A robust secure steel stool suitable for use within prison cells or detention areas.

**Specification**

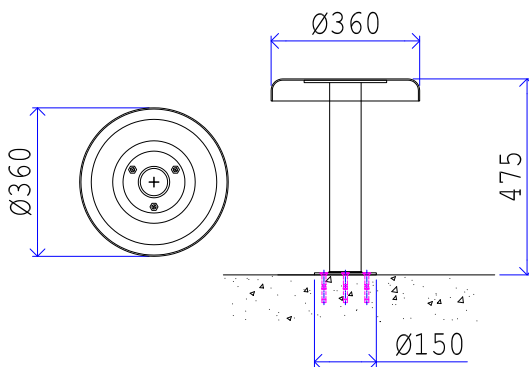
- One piece welded construction.
- Seat constructed from 3mm thick mild steel.
- Secured to the floor with heavy duty expansion bolts.

**Finish**

- Polyester paint Oyster Grey.

**Options**

- Other colours available upon request.
- Stainless steel seat.



## CSL0537

## Wall Mounted Steel Stool



CSL0537A  
FIXED STEEL STOOL

CSL0537B  
SWING STEEL STOOL

**Purpose**

A robust wall mounted fixed and swing steel stool suitable for use within prison cells and detention areas.

**Specification**

- Wall bracket constructed from welded steel.
- Seat constructed from stainless steel grade 304.

**Finish**

- Bracket - Polyester paint Oyster Grey.
- Seat - Satin stainless steel.

**Options**

- Other colours available upon request.

