

Shower Tray Euro

CSL0956

Specification

- Constructed in one piece 1mm grade 304 stainless steel by a deep-drawn process.
- Anti-slip surface.
- Can be recessed or surface mounted.
- Waste situated to the central rear of the tray.

Finish

- Satin finish.

Options

- Available in two different sizes.

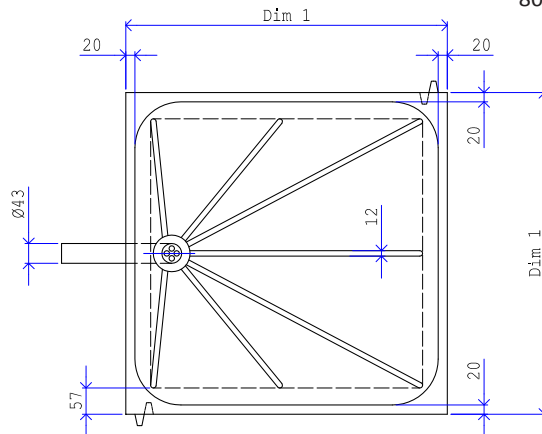
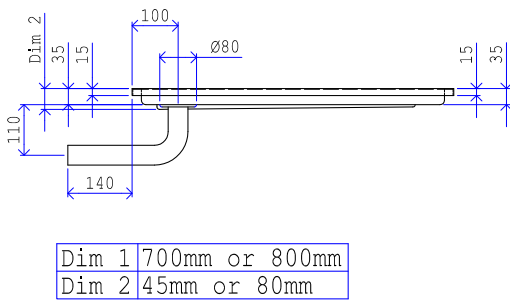


CSL0956A

700mm x 700mm x 45mm

CSL0956B

800mm x 800mm x 80mm



Shower Cubicle

CSL0957

Specification

- Cubicle constructed from grade 304 stainless steel, with all exposed surfaces polished to a satin finish.
- Supplied either as right or left hand in a one piece welded unit incorporating built-in shower tray with central outlet, stainless steel soap tray, integral mounting feet, removable front access panel held in position by security screws.
- All pipework supplied and concealed within the unit.
- Internal size 750mm x 750mm x 2000mm high.
- Fitted with vandal resistance shower spray head, 38mm (1.1/2") unslotted flush grated waste outlet.
- Mechanical push button, which gives approximately 30 seconds operation.
- Hot and cold water supply thermostatic mixing valve.

Finish

- Satin Polished Stainless Steel.

Options

- Cubicle supplied in knock down form for site assembly where access is restricted for assembly on site by others.
- Open or closed top.
- Multi-units can be bolted together to form ranges.
- End closure panel for free standing locations.
- Electrical operated shower in lieu of mechanical timed flow valve.

