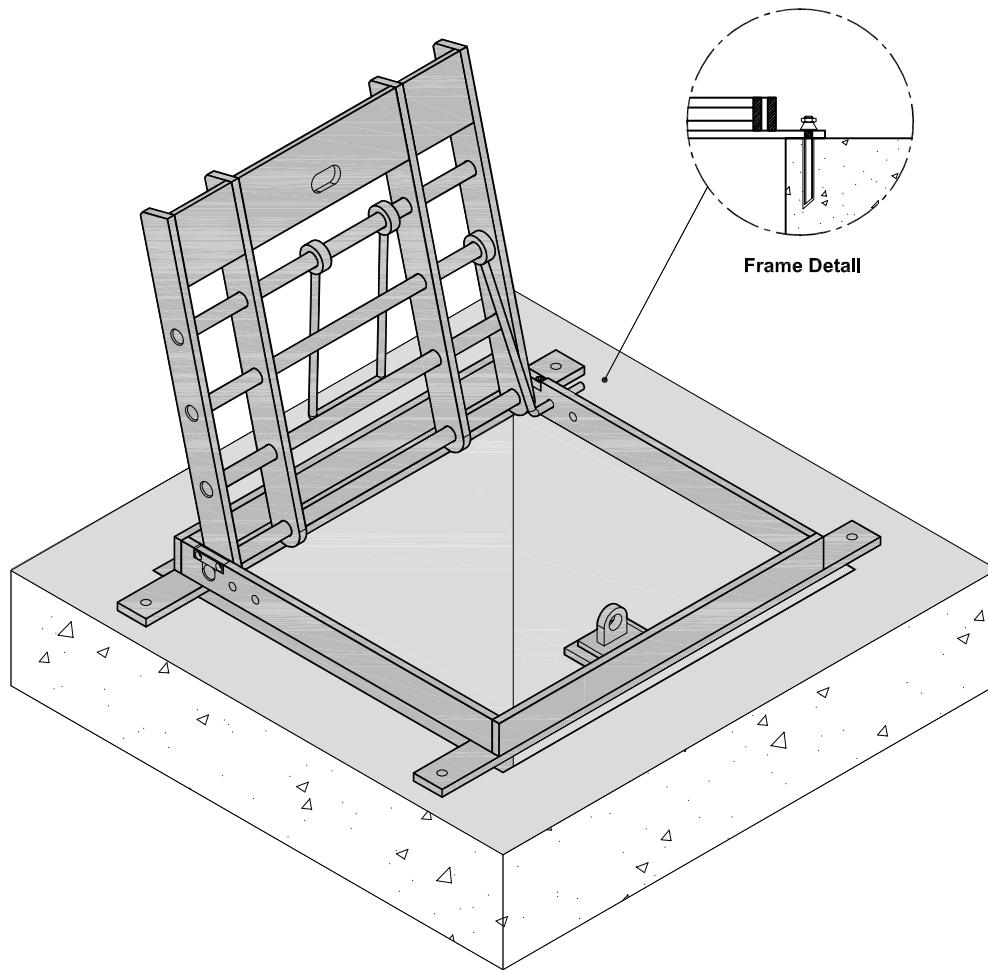


CSL0409

**Specification**

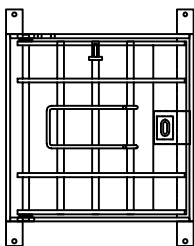
- Gate is constructed from 65mm x 12mm flat steel framework with 30mm diameter solid bars.
- Frame constructed from 50 x 12 flat. Fixed using by chemical resin anchors.
- Preparation for a heavy duty padlock supplied and fitted by HMPS.

Finish

- One coat factory applied high build zinc phosphate primer.

Options

- Galvanized finish.



CSL0409