

CSL0513

Single Prison Cell Bed

**Purpose**

A secure steel floor standing bed designed specifically for use within a prison cell.

Specification

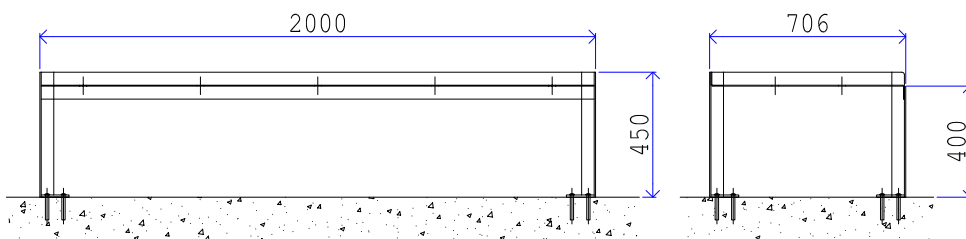
- Constructed from 50mm x 50mm x 5mm steel angle framework with a 3mm mild steel folded sheet bed top.
- Secured to the floor with heavy duty expansion bolts.

Finish

- Polyester paint Oyster Grey.

Options

- Other polyester paint colours available.



CSL0514

Double Prison Cell Bunk Bed

**Purpose**

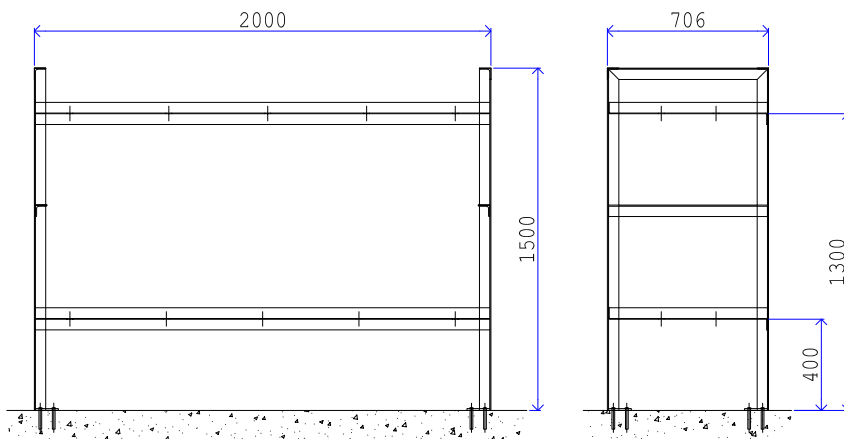
A secure steel floor standing double bunk bed designed specifically for use within a prison cell.

Specification

- Constructed from 50mm x 50mm x 5mm steel angle framework with a 3mm mild steel folded sheet bed tops.
- Bed ends can be used as ladders for top bunk access.
- Secured to the floor with heavy duty expansion bolts.

Finish

- Polyester paint Oyster Grey.

**Options**

- Other polyester paint colours available.