

CSL0550

Interview Table

**Purpose**

A robust interview table suitable for use within police station and prison interview rooms.

Specification

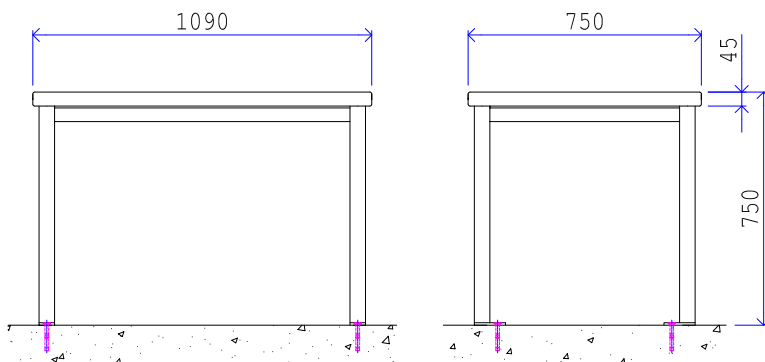
- Table constructed from a solid timber top with Formica on top side and lipped on all four edges with Ash.
- Mounted on 50 x 50 steel angle frame bolted floor.
- Secured to the floor with heavy duty expansion bolts.

Finish

- Steelwork polyester paint black.
- Formica is white.

Options

- Table top can be constructed from solid timber battens to match seating.
- Table top can be provided in Corian.
- Formica can be to any colour within the B.S. range.
- Steel frame can be provided in alternate paint colours.



CSL0551

Interview Table with Central Pedestal

**Purpose**

A robust interview table with central pedestal. Suitable for use within police station and prison interview rooms where disabled access is required.

Specification

- Table constructed from a solid timber top with Formica on top side and lipped on all four edges with Ash.
- Mounted on substantial centralised steel pedestal bolted to the floor with heavy duty expansion bolts.

Finish

- Steel pedestal polyester paint black.
- Formica is white.

Options

- Table top can be constructed from solid timber battens to match seating.
- Table top can be provided in Corian.
- Formica can be to any colour within the B.S. range.
- Steel pedestal can be provided in alternate paint colours.

