

CSL0909

Squatting Pan

**Specification**

- Constructed in one piece without joints or crevices from 1.6mm grade 304 stainless steel.
- Supplied as standard with a 110mm diameter vertical waste outlet and a 38mm diameter back entry flushing terminal.

Finish

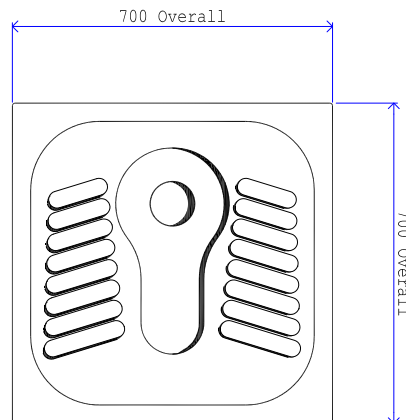
- Exposed surface of the pan is polished to a satin finish.

Compatible With*Pneumatic system*

CSL0981 Cistern
CSL0982 Push Button

Electrical system

CSL0981 Cistern
CSL0983 Electrical Control Button
CSL0985 Electrical Syphon
CSL0986 Electrical Control Box



CSL0910

Urinal

**Specification**

- Constructed in one piece without joints or crevices from grade 304 stainless steel.
- Can be used either with a top or rear water inlet (blanking plug supplied).
- Shaped bowl and anti-vandal spreader assembly ensures an efficient spread of flushing water over the internal surface.

Finish

- External surface of bowl is polished to a satin finish.
- Internal surface polished to a ultra smooth finish that is hygienic, easy to clean and resistant to scale build-up and deposits.

Options

- Also available in grade 316 stainless steel to order.
- Stove enamelled.

Compatible With*Pneumatic system*

CSL0981 Cistern
CSL0982 Push Button

Electrical system

CSL0981 Cistern
CSL0983 Electrical Control Button
CSL0985 Electrical Syphon
CSL0986 Electrical Control Box
OR
CSL0977 15mm - 22mm Airbreak Valve
CSL0987 Urinal Direct Flushing Kit

