

CSL0913

Urinal Trough

**CSL0913A**

1200mm length

CSL0913B

1500mm length

CSL0913C

1800mm length

CSL0913D

2400mm length

CSL0913E

3000mm length

Specification

- Constructed from 1.2mm grade 304 stainless steel.
- Supplied complete with plastic cistern, stainless steel sparge flushing pipe.
- Sparge locates below the valance.
- 2 inch domed plastic urinal waste (central position).

Finish

- Satin polished stainless steel.

Options

- Various sizes available.
- Also available in grade 316 stainless steel to order.

Compatible With*Pneumatic system*

CSL0981 Cistern

CSL0982 Push Button

Electrical system

CSL0981 Cistern

CSL0983 Electrical Control Button

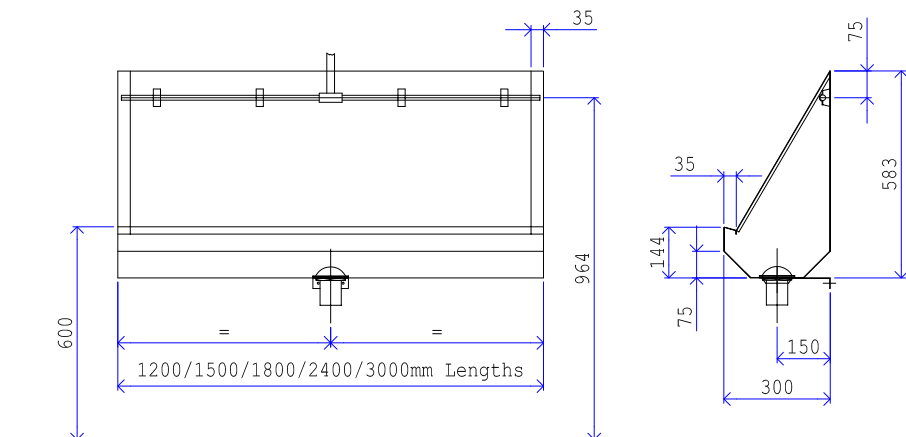
CSL0985 Electrical Syphon

CSL0986 Electrical Control Box

OR

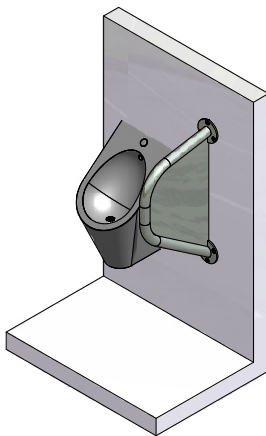
CSL0977 15mm - 22mm Airbreak Valve

CSL0987 Urinal Direct Flushing Kit



CSL0914

Urinal Divider

**Specification**

- Constructed from 50mm diameter grade 304 stainless steel welded tube with a 3mm grade 304 stainless steel welded inset panel.
- Ligature resisting unique design.
- Secured to the wall via 6 x M8 stainless countersunk fixings which are included.

Finish

- 304 stainless steel.
- Also available in grade 316 stainless steel to order.

