

Washbasin - Wall Hung Corner

CSL0943

Specification

- Constructed in one piece without joints or crevices from 2mm grade 304 Stainless Steel.
- Exposed surfaces of the basin are polished to a satin finish.
- The rear upstand is incorporated for ease of cleaning and hygiene.
- 1"1/4 BSP male waste outlet connector.
- Two tap holes.
- Blanking plug is also included if only one tap is required.

Finish

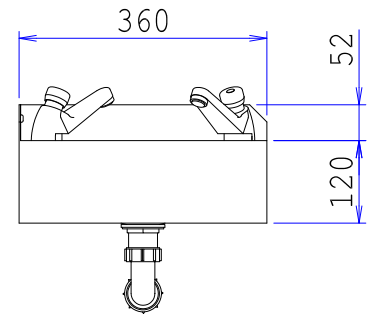
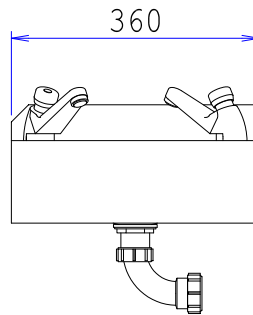
- Polished stainless steel.

Options

- Grade 316 stainless steel available to order.
- Stove enamelled.



Pictured with taps for illustration purposes only



Washbasin - Floor Standing Corner

CSL0944

Specification

- Constructed in one piece without joints or crevices from 2mm grade 304 stainless steel.
- Exposed surfaces of the basin are polished to a satin finish.
- The rear upstand is incorporated for ease of cleaning and hygiene.
- The basin's front panel extends downward with an access panel which protects the supply and waste pipes with removable access cover secured with tamper proof fixing screws.
- 1"1/4 BSP male waste outlet connector.
- Two tap holes.
- Blanking plug is also included if only one tap is required.

Finish

- Polished stainless steel.

Options

- Grade 316 stainless steel available to order.
- Stove enamelled.



Pictured with taps for illustration purposes only

