

Interview Chair

CSL0530

Purpose

An Interview Room chair for maintaining the safety, security and functionality within a police station.

Specification

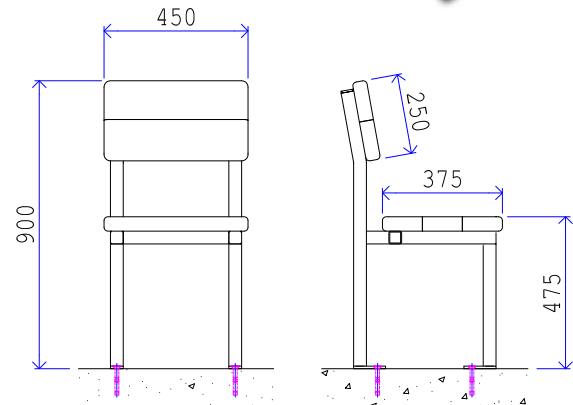
- Chair seating is constructed from 45mm thick Ash battens, mounted on 40 x 40 x 3 RHS framework bolted to floor with heavy duty expansion bolts.

Finish

- Timber has two coats of water borne varnish.
- Steelwork is polyester paint black.

Options

- Seats can be provided in alternative hardwood or Corian.
- Steel frame can be provided in a range of colours.



Plastic Cell Chair

CSL0531

Purpose

A plastic chair commonly used in prison cells.

Specification

- Moulded one piece plastic.

Finish

- Available in black or white.

Options

- Other colours available upon request.

